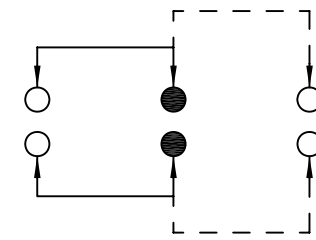
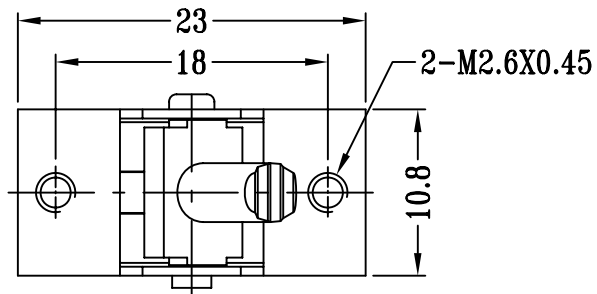
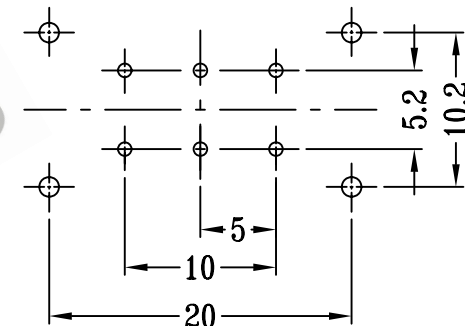
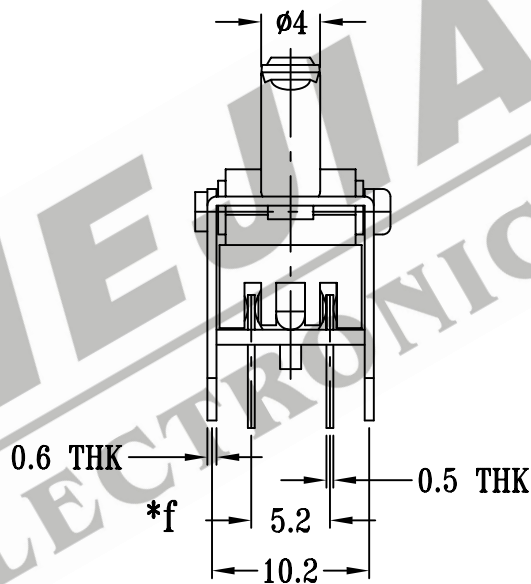
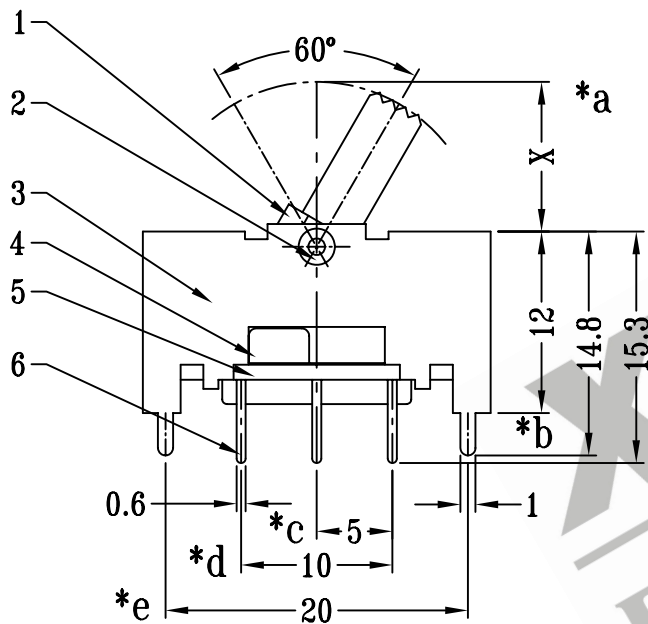


CAD FILE:



SCHEMATIC (NON-SHORTING)



P.C.B LAYOUT

9	CONTACT (CLIP)	PBS STRIP	2	Ag PLATED
8	PRESS BAR	POM	1	WHITE
7	SPRING	STEEL WIRE	1	TEMPER
6	TERMINAL	BRASS STRIP	6	Ag PLATED OVER Ni PLATED
5	BASE	PHENOLIC RESIN	1	NATURAL
4	SLIDER	POM	1	BLACK
3	FRAME	STEEL STRIP	1	Ni PLATED
2	RIVET	COPPER	1	Ni PLATED
1	KNOB	PC	1	BLACK
NO.	PART NAME	MATERIAL	Q'TY	FINISHING

TOLERANCE  
UNLESS SPECIFIED  
WITHIN: 1.5±0.1mm  
OVER : 1.5±0.2mm

SHENZHEN XIEJIA ELECTRONICS CO.,LTD.

TITLE : TOGGLE SWITCH		UNIT : MM	DRWG NO.: XJ-DR-TS22J05-00	
MODEL: TS-22J05		SCALE: 2:1	CHK'D	ZHOUYU 2002-9-24
ALL MATERIALS MUST BE COMPLIANT TO ROHS			APPD.	FANGYING 2002-9-24
			APPD.	KANGXINAN 2002-9-24

注:带"\*"表示关键尺寸(6个)